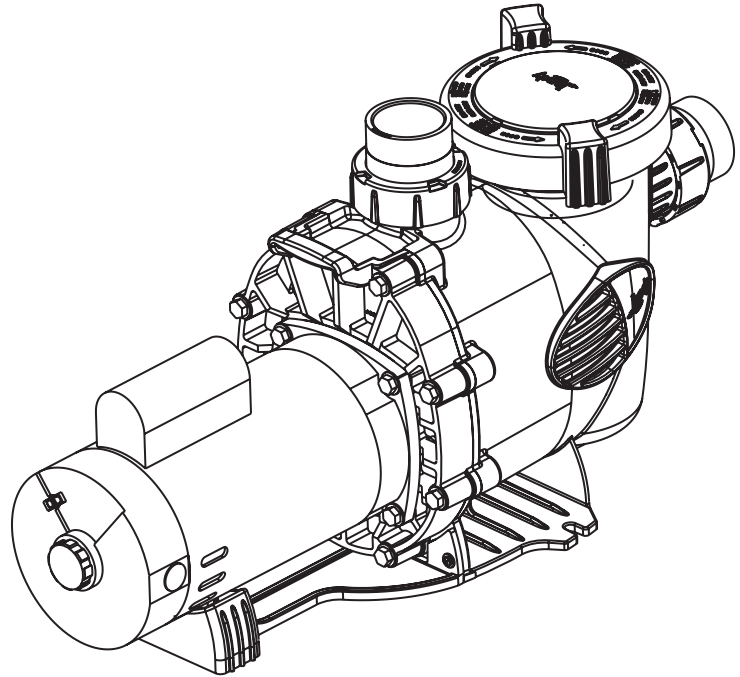




Installation and Operation Manual

Max HP Series Pumps

Model MHPM



WARNING

FOR YOUR SAFETY: This product must be installed and serviced by a professional service technician, qualified in pool/spa installation. The procedures in this manual must be followed exactly. Improper installation and/or operation can create dangerous electrical hazards which can cause high voltages to run through the electrical system, possibly causing death, serious injury or property damage. Improper installation and/or operation will void the warranty.



ATTENTION INSTALLER: This manual contains important information about the installation, operation and safe use of this product. This information should be given to the owner/operator of this equipment.

Table of Contents

<p>Section 1. Important Safety Instructions 4</p> <p style="padding-left: 20px;">1.1 Safety Instructions 4</p> <p style="padding-left: 20px;">1.2 Pool Pump Suction Entrapment Prevention Guidelines 6</p> <p>Section 2. General Description..... 8</p> <p style="padding-left: 20px;">2.1 Introduction..... 8</p> <p style="padding-left: 20px;">2.2 Description..... 8</p> <p>Section 3. Installation Information..... 8</p> <p style="padding-left: 20px;">3.1 Plumbing..... 8</p> <p style="padding-left: 40px;">3.1.1 Preparation Information..... 8</p> <p style="padding-left: 40px;">3.1.2 Pump Location..... 8</p> <p style="padding-left: 40px;">3.1.3 Pipe Sizing 9</p> <p style="padding-left: 80px;">3.1.3.1 Suction Pipe..... 9</p> <p style="padding-left: 80px;">3.1.3.2 Discharge Pipe..... 9</p> <p style="padding-left: 80px;">3.1.3.3 Installation Recommendations 9</p> <p style="padding-left: 20px;">3.2 Electrical Installation 10</p> <p style="padding-left: 40px;">3.2.1 Voltage Checks..... 10</p> <p style="padding-left: 40px;">3.2.2 Bonding and Grounding..... 10</p> <p style="padding-left: 40px;">3.2.3 Electrical Wiring..... 10</p> <p style="padding-left: 20px;">3.3 Pressure Testing 11</p> <p>Section 4. Operation 11</p> <p style="padding-left: 20px;">4.1 Start-up..... 11</p>	<p>Section 5. Service and Maintenance 12</p> <p style="padding-left: 20px;">5.1 Routine Maintenance 12</p> <p style="padding-left: 20px;">5.2 Winterizing the Pump 12</p> <p>Section 6. Troubleshooting and Repair 13</p> <p style="padding-left: 20px;">6.1 Troubleshooting 13</p> <p style="padding-left: 20px;">6.2 Service Technician Maintenance 14</p> <p style="padding-left: 40px;">6.2.1 Blocked Impeller..... 14</p> <p style="padding-left: 40px;">6.2.2 Impeller Removal 14</p> <p style="padding-left: 40px;">6.2.3 Impeller Replacement..... 15</p> <p style="padding-left: 40px;">6.2.4 Mechanical Seal Replacement..... 16</p> <p style="padding-left: 40px;">6.2.5 Motor Replacement..... 17</p> <p>Section 7. Product Specifications and Technical Data 18</p> <p style="padding-left: 20px;">7.1 Replacement Parts List 18</p> <p style="padding-left: 20px;">7.2 Exploded View..... 19</p> <p style="padding-left: 20px;">7.3 MHPM Pump Curves..... 20</p> <p style="padding-left: 20px;">7.4 Physical and Operational Specifications 21</p> <p style="padding-left: 40px;">7.4.1 MHPM Pump Specifications 21</p> <p style="padding-left: 40px;">7.5 Replacement Motor Guide..... 22</p> <p>Warranty 24</p>
--	--

EQUIPMENT INFORMATION RECORD	
DATE OF INSTALLATION _____	
INSTALLER INFORMATION _____	
INITIAL PRESSURE GAUGE READING (WITH CLEAN FILTER) _____	
PUMP MODEL _____	HORSEPOWER _____
NOTES: _____	

Section 1. Important Safety Instructions

READ AND FOLLOW ALL INSTRUCTIONS

1.1 Safety Instructions

All electrical work must be performed by a licensed electrician and conform to all national, state, and local codes. When installing and using this electrical equipment, basic safety precautions should always be followed, including the following:

 **WARNING**

RISK OF SUCTION ENTRAPMENT HAZARD, WHICH, IF NOT AVOIDED CAN RESULT IN SERIOUS INJURY OR DEATH. Do not block pump suction as this can cause severe injury or death. Do not use this pump for wading or shallow pools or spas containing bottom drains, unless the pump is connected to at least two functioning suction outlets. Drain covers must be certified to ANSI/ASME A112.19.8.

 **WARNING**

To reduce the risk of injury, do not permit children to use this product.

 **WARNING**

To reduce the risk of property damage or injury, do not attempt to change the backwash (multiport, slide, or full flow) valve position with the pump running.

 **WARNING**

The Jandy® Pumps are powered by a high voltage electric motor and must be installed by a licensed or certified electrician or a qualified swimming pool service technician.

 **WARNING**

Due to the potential risk of fire, electric shock, or injuries to persons, Jandy® Pumps must be installed in accordance with the National Electric Code, all local electrical and safety codes, and the Occupational Safety and Health Act (OSHA). Copies of the National Electrical Code may be ordered from the National Fire Protection Association, 470 Atlantic Ave., Boston, MA 02210, or contact your local government inspection agency.

 **WARNING**

Incorrectly installed equipment may fail, causing severe injury or property damage.

 **WARNING**

- Do not connect system to an unregulated city water system or other external source of pressurized water producing pressures greater than 35 PSI.
- Trapped air in system can cause the pump and/or filter lid to be blown off which can result in death, serious personal injury, or property damage. Be sure all air is out of system before operating.

⚠ WARNING

To minimize risk of severe injury or death the filter and/or pump should not be subjected to the piping system pressurization test.

Local codes may require the pool piping system to be subjected to a pressure test. These requirements are generally not intended to apply to the pool equipment such as filters or pumps.

Jandy® pool equipment is pressure tested at the factory.

If however the WARNING cannot be followed and pressure testing of the piping system must include the filter and/or pump **BE SURE TO COMPLY WITH THE FOLLOWING SAFETY INSTRUCTIONS:**

- Check all clamps, bolts, lids, lock rings and system accessories to ensure they are properly installed and secured before testing.
- **RELEASE ALL AIR** in the system before testing.
- Water pressure for test must **NOT EXCEED 35 PSI**.
- Water temperature for test must **NOT EXCEED 100°F (38°C)**.
- Limit test to 24 hours. After test, visually check system to be sure it is ready for operation.
- **Notice:** These parameters apply to Jandy® equipment only. For non-Jandy® equipment, consult equipment manufacturer.

⚠ WARNING

Chemical spills and fumes can weaken pool/spa equipment. Corrosion can cause filters and other equipment to fail, resulting in severe injury or property damage. Do not store pool chemicals near your equipment.

⚠ CAUTION

Do not start pump dry! Running the pump dry for any length of time will cause severe damage and will void the warranty.

⚠ CAUTION

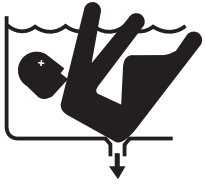
This pump is for use with permanently installed pools and may also be used with hot tubs and spas if so marked. Do not use with storable pools. A permanently installed pool is constructed in or above the ground or in a building such that it cannot be readily disassembled for storage. A storable pool is constructed so that it may be readily disassembled for storage and reassembled to its original integrity.

⚠ CAUTION

Do not install within an outdoor enclosure or beneath the skirt of a hot tub or portable spa. The pump requires adequate ventilation to maintain air temperature at less than the maximum ambient temperature rating listed on the motor rating plate.

SAVE THESE INSTRUCTIONS

1.2 Pool Pump Suction Entrapment Prevention Guidelines



WARNING

SUCTION HAZARD. Can cause serious injury or death. Do not use this pump for wading; shallow pools or spas containing bottom drains, unless pump is connected to at least two functioning suction outlets.

WARNING

Pump suction is hazardous and can trap and drown or disembowel bathers. Do not use or operate swimming pools, spa, or hot tubs if a suction outlet cover is missing, broken, or loose. The following guidelines provide information for pump installation that minimizes risk of injury to users of pools, spas, and hot tubs:

Entrapment Protection - The pump suction system must provide protection against the hazards of suction entrapment.

Suction Outlet Covers - All suction outlets must have correctly installed, screw-fastened covers in place. All suction outlet (drain) covers must be maintained. Drain covers must be listed/certified to ANSI/ASME A112.19.8. They must be replaced if cracked, broken, or missing.

Number of Suction Outlets Per Pump - Provide at least two hydraulically balanced main drains, with covers, as suction outlets for each circulating pump suction line. The centers of the main drains (suction outlets) on any one suction line must be at least three feet apart, center to center. (see figure 1 on page 7)

The system **must** be built to include at least two suction outlets (drains) connected to the pump whenever the pump is running. However, if two main drains run into a single suction line, the single suction line may be equipped with a valve which will shut off both main drains from the pump. The system shall be constructed such that it shall not allow for separate or independent shutoff or isolation of each drain. (see figure 1 on page 7)

More than one pump can be connected to a single suction line as long as the requirements above are met.

Water Velocity - The maximum water velocity through the suction fitting or cover for any suction outlet must be 1.5 feet per second unless the outlet complies with the latest version of ANSI/ASME A112.19.8, the standard for *Suction Fittings For Use in Swimming and Wading Pools, Spas, Hot Tubs, and Whirlpool Bathtub Applications*. In any case, do not exceed the suction fitting's maximum designed flow rate.

If 100% of the pump's flow comes from the main drain system, the maximum water velocity in the pump suction hydraulic system must be six feet per second or less even if one main drain (suction outlet) is completely blocked. The flow through the remaining main drain(s) must comply with the latest ANSI/ASME A112.19.8, the standard for *Suction Fittings For Use in Swimming and Wading Pools, Spas, Hot Tubs, and Whirlpool Bathtub Applications*.

Testing and Certification - Suction outlet covers must have been tested by a nationally recognized testing laboratory and found to comply with the latest ANSI/ASME A112.19.8, the standard for *Suction Fittings For Use in Swimming and Wading Pools, Spas, Hot Tubs, and Whirlpool Bathtub Applications*.

Fittings - Fittings restrict flow; for best efficiency use fewest possible fittings (but at least two suction outlets).

Avoid fittings which could cause an air trap.

Pool cleaner suction fittings must conform to applicable International Association of Plumbing and Mechanical Officials (IAPMO) standards.

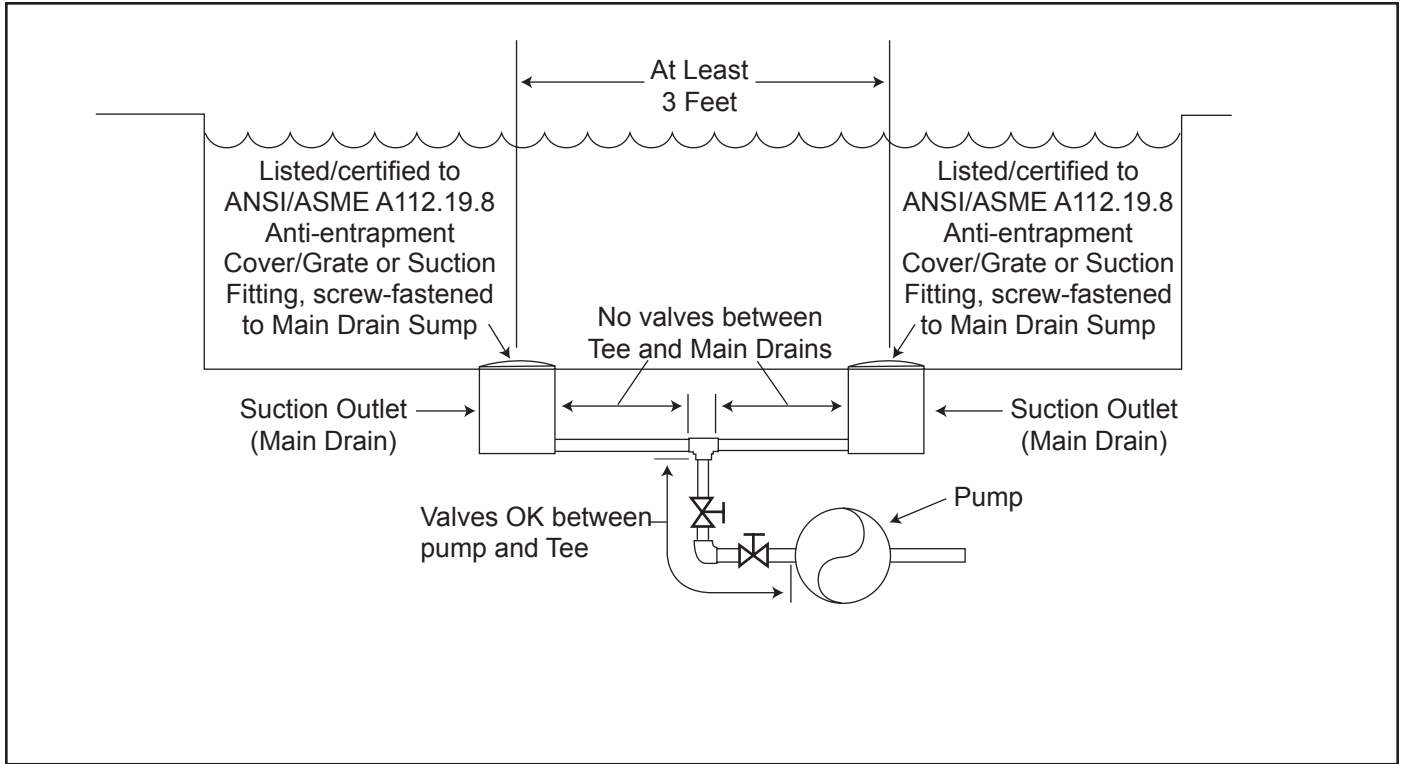


Figure 1. Number of Suction Outlets Per Pump

Section 2. General Description

2.1 Introduction

This manual contains information for the proper installation, operation and maintenance of Jandy® Max HP Series Pumps. Procedures in this manual must be followed exactly. To obtain additional copies of this manual contact us at 707-776-8200, ext. 237. For address information, see back cover.

2.2 Description

Jandy® Max HP Series Pumps are designed to meet the needs of today's more hydraulically demanding pool equipment. The pump housing, backplate, diffuser, hair and lint pot (pump basket), and impeller are all made from high quality thermoplastic materials. These materials were chosen for their strength and corrosion resistance.

The pump is driven by an electric motor directly attached to the pump impeller. As the electric motor turns it causes the impeller to turn, which forces water to flow through the pump. The water flows through the pump inlet and then into the filter basket. The basket assembly pre-strains/traps large particles. The water flow then enters the center of the pump housing, goes through the impeller into the diffuser, and then goes out the pump discharge port.

Section 3. Installation Information

3.1 Plumbing

3.1.1 Preparation Information

1. Upon receipt of the pump, check the carton for damage. Open the carton and check the pump for concealed damage such as cracks, dents or a bent base. If damage is found, contact the shipper or distributor where the pump was purchased.
2. Inspect contents of carton and verify all parts are included. See *Section 7.1, Replacement Parts List*.

3.1.2 Pump Location

1. It is recommended to install the pump within one (1) foot above the water level. The pump should not be elevated more than a few feet above the water level of the pool. A check valve is recommended on the suction line to the pump.

WARNING

Some Safety Vacuum Release Systems (SVRS devices) are not compatible with installation of check valves. If the pool has a SVRS device, be sure to confirm that that it will continue to safely operate when any check valves are installed.

NOTE Better self-priming will be achieved if the pump is installed as close as possible to the water level of the pool.

2. If the pump is located below water level, isolation valves *must* be installed on both the suction and return lines to prevent back flow of pool water during any routine or required servicing.
3. The pump and other circulation equipment must be located more than five (5) feet from the water. Choose a location that will minimize turns in the piping.

NOTE In Canada, the pump must be located a minimum of 3 meters (approximately 10 feet) from the water (CSA C22.1).

4. The pump must be placed on a solid foundation that will not vibrate. To further reduce the possibility of vibration noise, bolt the pump to the foundation, or place on a rubber mat.

NOTE It is recommended to bolt the pump directly to the foundation.

5. The pump foundation must have adequate drainage to prevent the motor from getting wet. Protect the pump from the rain and sun.
6. Proper ventilation is required for the pump to operate normally. All motors generate heat that must be removed by providing proper ventilation.
7. Provide access for future service by leaving a clear area around the pump. Allow plenty of space above the pump to remove the lid and basket for cleaning.
8. If the equipment is under cover, provide adequate lighting.

3.1.3 Pipe Sizing

3.1.3.1 Suction Pipe

When the pump is located up to 50 feet from the pool, the recommended Schedule 40 minimum pipe size for the suction side of the pump is 1½" for ¾ HP and 2" for 1 to 2 HP. For 2½ HP pumps recommended pipe size is 2½".

3.1.3.2 Discharge Pipe

When the pump is located up to 50 feet from the pool, the recommended Schedule 40 minimum pipe size for the discharge side of the pump is 1½" for ¾ HP and 2" for 1 to 2 HP. For 2½ HP pumps recommended pipe size is 2½".

NOTE All pipe sizes (Schedule 40) are able to withstand the pressures the pump will deliver, but not the flow. If the pipe is too small for the pump, or if the pump is elevated above water, the maximum gallons per minute (GPM) may not be delivered and the pump will make noise and shorten pump life. (cavitate)

3.1.3.3 Installation Recommendations

1. If the pump is located below water level, isolation valves *must* be installed on both sides of the pump to prevent back flow of pool water during any routine or required servicing.
2. To help prevent difficulty in priming, install the suction pipe without high points (above inlet of pump - inverted "U's" in plumbing commonly referred to as an airlock), which can trap air. For installations of equipment up to 100 feet from the water, refer to the pipe sizing chart, Table 1. For installations of equipment more than 100 feet from the water, the recommended pipe must be increased to the next size.

Table 1. Pipe Sizing Chart for Schedule 40 PVC

Pipe Size	Maximum Flow Suction (8 feet per second)	Maximum Flow Discharge (10 feet per second)
1½"	50 GPM (189 LPM)	65 GPM (246 LPM)
2"	85 GPM (322 LPM)	105 GPM (397 LPM)
2½"	120 GPM (454 LPM)	149 GPM (564 LPM)

3. Max HP Pumps come equipped with unions on both the suction and discharge ports. This feature simplifies installation, service, and eliminates the possibility of leaks at threaded adapters.

4. The Max HP Pump must be connected to at least two (2) hydraulically balanced main drains for each pool pump suction line. Each drain must be provided with covers that are listed or certified to ANSI/ASME A112.19.8. The suction fittings of the main drains must be at least three feet apart or at different planes. The suction fittings can be a drain and skimmer, two drains, two skimmers, or a skimmer with an equalizer line installed. Check the local codes for proper installation.

NOTE To prevent entrapment, the system must be built so that it cannot operate with the pump drawing water from only one main drain. At least two main drains *must* be connected to the pump when it is in operation. However, if two main drains run into a single suction line, the single suction line may be equipped with a valve which will shutoff both main drains from the pump.

5. The piping must be well supported and not forced together where constant stress will be experienced.
6. Always use properly sized valves. Jandy® Diverter Valves and Jandy® Ball Valves typically have the best flow capabilities.
7. Use the fewest fittings possible. Every fitting added has the effect of moving the equipment farther away from the water.

NOTE If more than ten (10) suction fittings are needed, the pipe size must be increased.

8. Every new installation must be pressure tested according to local codes.

⚠ WARNING

Do not pressure test above 35 PSI. Pressure testing must be done by a trained pool professional. Circulation equipment that is not tested properly will fail, which could result in severe injury or property damage.

⚠ WARNING

Trapped air in system can cause pump lid to be blown off which can result in death, serious injury, or property damage. Be sure all air is properly out of system before operating. **DO NOT USE COMPRESSED AIR TO LEAK OR PRESSURE TEST.**

3.2 Electrical Installation

3.2.1 Voltage Checks

The correct voltage, as specified on the pump data plate, is necessary for proper performance and long motor life. Incorrect voltage will decrease the pump's ability to perform and could cause overheating, reduce the motor life, and result in higher electric bills.

It is the responsibility of the electrical installer to provide data plate operating voltage to the pump by ensuring proper circuit sizes and wire sizes for this specific application.

⚠ WARNING

Ensure that the control switch or time clock is installed in an accessible location so that in the event of an equipment failure or a loose plumbing fitting the equipment can be turned off. This location must **not** be in the same area of the pool pump, filter, and other equipment.

⚠ CAUTION

The pump must be permanently connected to a dedicated electrical circuit. No other equipment, lights, appliances or outlets may be connected to the pump circuit.

⚠ CAUTION

Failure to provide data plate voltage (within 10%) during operation will cause the motor to overheat and void the warranty.

3.2.2 Bonding and Grounding

1. The motor frame must be bonded to a reliable grounding point using a solid copper conductor, No. 8 AWG or larger. In Canada, No. 6 AWG or larger must be used.
2. Bond the motor using the provided external lug.

3.2.3 Electrical Wiring

1. The pump motor must be securely and adequately grounded using the green screw provided. Ground before attempting to connect to an electrical power supply. **Do not ground to a gas supply line.**
2. Wire size must be adequate to minimize voltage drop during the start- up and operation of the pump. See Table 2 for suggested wire sizes.
3. Insulate all connections carefully to prevent grounding or short-circuits. Sharp edges on terminals require extra protection. Tape wire nuts to prevent loosening. For safety, and to prevent entry of contaminants, reinstall all conduit and terminal box covers. **Do not force connections into the conduit box.**
4. To configure the pump motor internal wiring for the correct voltage, refer to the diagram on the motor data plate.

⚠ WARNING

Always disconnect the power source before working on a motor or its connected load.

RECOMMENDED MINIMUM WIRE SIZE (AWG) FOR MHP PUMPS*										
DISTANCE FROM SUB-PANEL										
Model	BRANCH FUSE AMPS		0-50 FEET		50-100 FEET		100-150 FEET		150-200 FEET	
	230	115	230 VAC	115 VAC	230 VAC	115 VAC	230 VAC	115 VAC	230 VAC	115 VAC
MHPM0.75HP	15A	15A	14	12	12	8	10	6	8	6
MHPM1.0HP	15A	20A	14	10	10	8	8	6	8	4
MHPM1.5HP	15A	20A	12	10	10	6	8	6	6	4
MHPM2.0HP	15A	20A	12	8	8	6	6	4	6	3
MHPM2.5HP	15A	NA	12	NA	8	NA	6	NA	6	NA

*ASSUMES THREE COPPER CONDUCTORS IN A BURIED CONDUIT AND 3% MAXIMUM VOLTAGE LOSS IN BRANCH CIRCUIT. ALL NEC AND LOCAL CODES MUST BE FOLLOWED. TABLE SHOWS MINIMUM WIRE SIZE AND BRANCH FUSE RECOMMENDATIONS FOR TYPICAL INSTALLATION PER NEC.

3.3 Pressure Testing

⚠ WARNING

When pressure testing a system with water, air is often trapped in the system during the filling process. This air will compress when the system is pressurized. Should the system fail, this trapped air can propel debris at high speed and cause property damage, severe injury or death. Every effort to remove trapped air must be taken, including opening the bleed valve on the filter and loosening the pump basket lid while filling the pump.

⚠ WARNING

When pressure testing the system with water, it is very important to make sure that the pump basket lid is completely secure.

1. Fill system with water using care to eliminate trapped air.
2. Pressurize the system with water to no more than 35 PSI.
3. Close valve to trap pressurized water in system.
4. Carefully observe system for leaks and/or pressure decay.

Section 4. Operation

4.1 Start-up

⚠ CAUTION

Never run the pump without water. Running the pump "dry" for any length of time can cause severe damage to both the pump and motor and void the warranty.

If this is a new pool installation, make sure all piping is clear of construction debris and has been properly pressure tested. The filter should be checked for proper installation, verifying all connections and clamps are secure according to the manufacturer's recommendations.

⚠ WARNING

To avoid risk of damage or injury, verify that all power is turned off before starting this procedure.

1. Release all pressure from the system and open the filter pressure release valve.
2. If the pump is located below the water level of the pool, opening the filter pressure release valve will prime the pump with water.
3. If the pump is located above the water level of the pool, remove the lid and fill the basket with water before starting the pump.
4. Prior to replacing the lid, check for debris around the lid o-ring seat. Debris around the lid o-ring seat will cause air to leak into the system, and make it difficult to prime the pump.
5. Hand-tighten the lid to make an air tight seal. Do not use any tools to tighten the lid, hand-tighten only. Ensure that the lid is secure. Make sure all valves are open and the unions are tight.
6. Restore power to the pump, then turn on the pump.
7. Once all the air has left the filter, close the filter pressure release valve.
8. The pump should prime. The time it takes to prime will depend on the elevation and length of pipe used on the suction supply pipe. See *Section 3.1.3.3, Installation Recommendations* for proper elevation and pipe size.
9. If the pump does not prime and all the instructions to this point have been followed, check for a suction leak and then repeat Steps 2 through 7.

Section 5. Service and Maintenance

5.1 Routine Maintenance

The pump will collect any large debris present in the water at the pump basket. As debris accumulates it will begin to block the flow of water through the pump, and must be removed. The cleaner the basket is kept, the more effective and efficient the pump will perform. The pump lid is clear for easy inspection between cleaning.

1. To clean the basket, turn off the power to the pump. If the pump is located below the water level, close the isolation valves on the suction and discharge sides of the pump to prevent backflow of water. Turn the lid counter-clockwise until it comes off. You may use a tool for leverage to remove the lid, but *never* to tighten the lid.

CAUTION

A misaligned basket will cause the lid to be improperly seated, allowing an air leak which could result in pump damage.

2. Lift the basket out of the pump.
3. Dispose of the debris and thoroughly clean the basket, making sure all the holes are open. Using a garden hose, spray the basket from the outside to help clear the holes. Use your hands to remove any remaining debris.
4. Replace the basket in the pump by aligning the open section of the basket with the inlet pipe. If aligned properly, the basket will drop easily into place. ***Do not force into place.***
5. Prior to replacing the lid, check for debris around the lid o-ring seat, as this will cause air leaks into the system. Clean the lid o-ring and place on the lid.
6. Hand-tighten the lid to make an air tight seal. Do not use any tools to tighten the lid, hand-tighten only.
7. Verify that all valves have been returned to the proper position for normal operation.
8. Open the pressure release valve on the filter, and make sure it is clean and ready for operation.

9. Turn on the power to the pump. Once all the air has been evacuated from the filter, close the filter pressure release valve.

5.2 Winterizing the Pump

CAUTION

The pump ***must*** be protected when freezing temperatures are expected. Allowing the pump to freeze will cause severe damage and void the warranty.

CAUTION

Do not use antifreeze solutions in the pool, spa, or hot tub systems! Antifreeze is highly toxic and may damage the circulation system. The only exception to this is Propylene Glycol. For more information see your local pool/spa supply store or contact a qualified swimming pool service company.

1. Drain ***all*** water from the pump, system equipment, and piping.
2. Remove the two drain plugs. Store the drain plugs in a safe location and reinstall them when the cold weather season is over. ***Do not lose the o-rings.***
4. Keep the motor covered and dry.

NOTE Covering the pump with plastic will create condensation and this moisture will damage the pump. The best way to protect your pump is to have a qualified service technician or electrician properly disconnect the electrical wiring at the switch or junction box. Once the power is removed, the two unions can be loosened and the pump stored indoors. For safety, and to prevent entry of contaminants, reinstall all conduit and terminal box covers.

5. When the system is reopened for operation, make sure all piping, valves, wiring, and equipment are in accordance with the manufacturer's recommendations. Pay close attention to the filter and electrical connections.
6. The pump must be primed prior to starting; refer to *Section 4.1, Start-up*.

Section 6. Troubleshooting and Repair

Jandy® strongly recommends that you call a qualified service technician to perform any repairs on the filter/pump system. To locate a qualified technician, check your local yellow pages or visit www.jandy.com and click on "Product Support."

6.1 Troubleshooting

Symptom	Possible Problem/Solution
The cleaning/circulating system is not operating correctly.	<p>Verify that skimmer baskets, pump basket and other screens are clean. Clean as necessary.</p> <p>Check filter and clean as necessary.</p> <p>Check valve positions. Adjust as necessary.</p> <p>NOTE Multiple pieces of equipment operating at one time (for example, waterfalls, spa jets, and surface returns) will affect the cleaning system from working properly.</p> <p>Check the cleaning system manual to ensure that the system is adjusted according to the manufacturer's recommendations.</p>
Bubbles present in the pump basket.	<p>Air in system. Check the pool or spa water level to ensure it is at the proper level and that air is not being drawn into the suction piping. If the water is at normal level, turn off the pump. Remove the lid and check for debris around the lid o-ring seat, as this will cause air leaks into the system. Clean the lid o-ring and place on the lid. Hand-tighten the lid to make an air tight seal. Do not use any tools to tighten the lid. Turn the pump back on.</p>
Air leaks are still present.	<p>Check the suction side piping union. While the pump is running, try to tighten the union. If this does not stop the air leak, turn off the pump. Loosen both unions and slide the pump out of the way. Remove, clean and re-install both union o-rings.</p> <p>Reposition the pump next to the piping and secure the union nuts to the pump. With clean union o-rings, hand-tightening of the unions should create a seal. If the unions still do not seal, gently tighten with a large pair of tongue-and-groove pliers.</p> <p>Do not over-tighten.</p>
There is no air in the system, but the pressure is still low.	<p>It is possible that debris is caught in the pump impeller. The pump impeller moves the water, and the vanes in the impeller can become blocked with debris. See <i>Section 6.2, Service Technician Maintenance, 6.2.1 "Blocked Impeller"</i> for more information.</p>
There is no debris blocking the impeller and the pressure is still low.	<p>The pump impeller and diffuser are showing signs of normal wear. Have a qualified service technician check the impeller and diffuser and replace as necessary.</p> <p>If the pump is part of a relatively new installation, it could be an electrical problem. Contact a qualified service technician. Have the technician check for loose electrical connections and check the voltage at the pump motor while it is in operation. The voltage must be within 10% of the motor's data plate rating. If the voltage is not within 10%, contact a qualified electrician and/or the local power service provider.</p> <p>Pump seal is leaking air. Have a qualified service technician replace the seal.</p>
The pump is leaking water between the motor and pump body.	<p>This is caused by a damaged or failed mechanical seal. Replace the seal. See <i>Section 6.2, Service Technician Maintenance, 6.2.4 "Mechanical Seal Replacement"</i>.</p>
The pump gets hot and shuts off periodically.	<p>Ensure that there is adequate room around the motor to circulate air and keep the motor cool. Have a qualified electrician check for loose connections and check the voltage at the pump motor while it is in operation. The voltage must be within 10% of the motor's data plate rating. If the voltage is not within 10%, contact a qualified electrician and/or the local power service provider.</p>

6.2 Service Technician Maintenance

⚠ WARNING

This pump must be serviced by a professional service technician, qualified in pool/spa installation. The following procedures must be followed exactly. Improper installation and/or operation can create dangerous electrical hazards which can cause high voltages to run through the electrical system, possibly causing property damage, serious injury, or death. Improper installation and/or operation will void the warranty.

6.2.1 Blocked Impeller

⚠ WARNING

While servicing the pump, switch off the circuit breakers at the power source. Severe personal injury or death may occur if the pump starts while your hand is inside the pump.

1. Turn off the pump. Switch off the circuit breaker to the pump motor.
2. Remove the lid and basket.
3. Look inside the pump for any debris. Remove any debris found inside.
4. Replace the basket and lid.
5. Switch on the circuit breaker to the pump motor.
6. Turn on the pump, and see if the problem is solved.
7. If the impeller is still blocked with debris and it is not possible to remove the debris using Steps 2 through 4, the pump will need to be disassembled in order to access the inlet and outlet of the impeller.

6.2.2 Impeller Removal

⚠ WARNING

While servicing the pump, switch off the circuit breakers at the power source. Severe personal injury or death may occur if the pump starts while your hand is inside the pump.

1. Turn off the pump. Switch off the circuit breaker to the pump motor. If you are not replacing the motor, do not disconnect the electrical wiring.

NOTE If you are replacing the motor, Jandy® strongly recommends that a qualified service technician or electrician properly disconnect the electrical wiring at the pump motor.

2. Turn off any valves to prevent pool water from Reaching the pump. Drain the water from the pump by loosening the unions or removing the drain plugs.
3. Using a 9/16" wrench, loosen the bolts connecting the pump body to the motor backplate (see Figure 2).

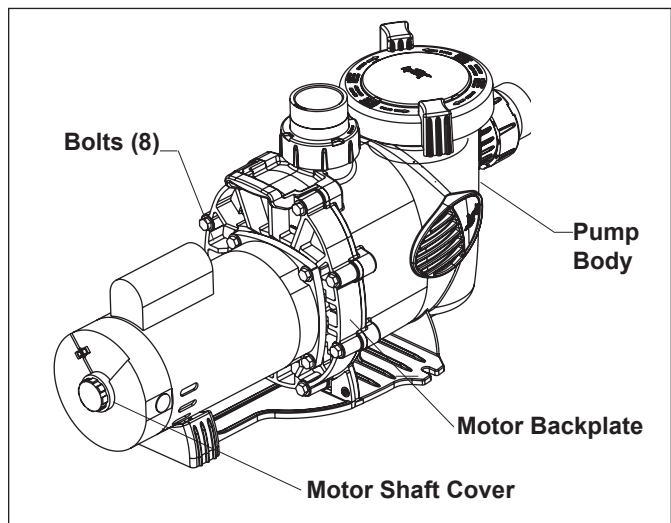


Figure 2. Remove the Pump Housing

4. Pull the motor and backplate out of the pump body. Remove the pump body o-ring. The impeller is connected to the motor shaft.
5. Using a No. 1 Phillips screwdriver, remove the two (2) screws holding the diffuser. (The diffuser is the cover over the impeller). Then remove the diffuser (see Figure 3). Remove the diffuser o-ring (see Figure 4).

NOTE At this point you have access to the inlet and outlet of the impeller to remove any debris.

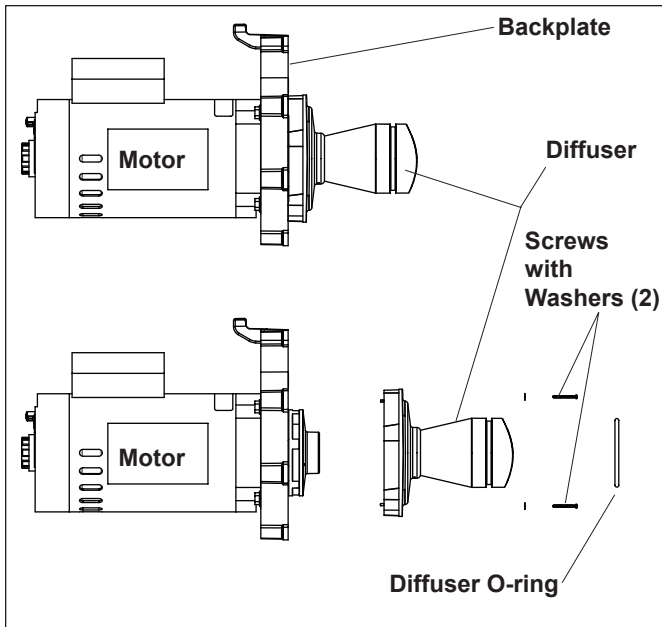


Figure 3. Remove the Diffuser

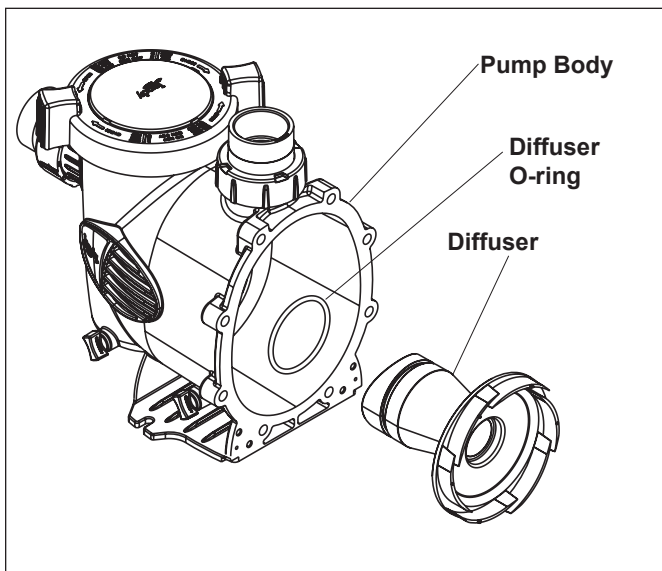


Figure 4. Remove the Diffuser O-ring

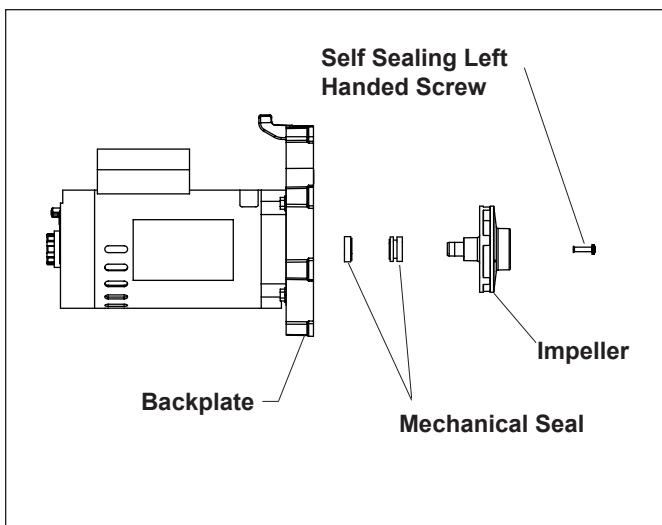


Figure 5. Remove the Impeller

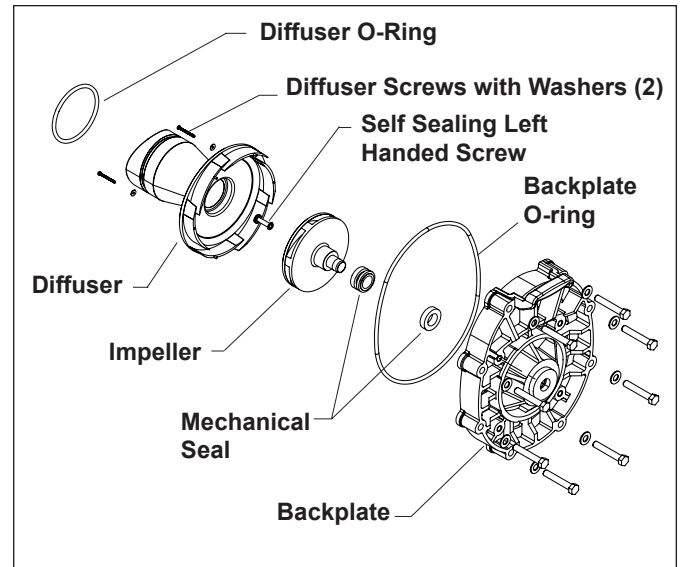


Figure 6. Diffuser and Impeller Exploded View

6. Remove the motor shaft cover on the back of the motor by twisting the hex-head screw with a 90° crescent wrench (see Figure 2). The motor shaft will be exposed.

7. Hold the exposed motor shaft with a ½" wrench while removing the impeller center screw using a #2 Phillips screwdriver (see Figure 5).

NOTE The impeller center screw is a left-hand threaded screw, therefore turn the screw clockwise to loosen.

8. Hold the motor shaft with a ½" wrench while unscrewing the impeller from the motor shaft with your hand.

NOTE The impeller is a right-handed thread, therefore turn impeller counter-clockwise to unscrew.

9. Inspect the impeller and diffuser for signs of rubbing and/or damage.

6.2.3 Impeller Replacement

1. While holding the motor shaft with a ½" wrench, thread the impeller onto the motor shaft. Hand-tighten the impeller until it is secure. Install the impeller center screw into the center of the impeller and tighten, using a #2 Phillips screwdriver. Do not overtighten.

NOTE The impeller center screw is a left-hand threaded screw, therefore turn the screw counter-clockwise to tighten.

2. Replace the motor shaft cover by inserting the cover tabs into the slots and rotating the cover 90° clockwise.
3. Replace the diffuser over impeller using care to insert alignment pins into the correct holes. The molded-in arrow must point toward the handle of the backplate.
4. Replace the two small Phillips head screws. Tighten the screws to draw the diffuser against the motor backplate.
5. Make sure the o-ring, o-ring groove, and o-ring seal area are clean and free of debris, which could cause a leak. If grease is used to retain the o-ring, it **must** be silicone based. **Do not** use petroleum-based grease, which **will** destroy the o-ring.
6. Slide the diffuser into the mating hole in the pump body. While supporting the motor, start two screws on opposite sides. (This will hold the motor in position while you start the other six (6) screws).
7. Tighten the screws lightly in a crossing “X” pattern using a 9/16" wrench starting with the inner (middle) four (4) then the outer (top and bottom) four (4) to draw the backplate to the body in an even manner. Once all the screws are snug torque in the same order to 18 foot-pounds.
8. If the pump is located above water level of the pool, remove the lid and fill the basket with water before starting the pump.

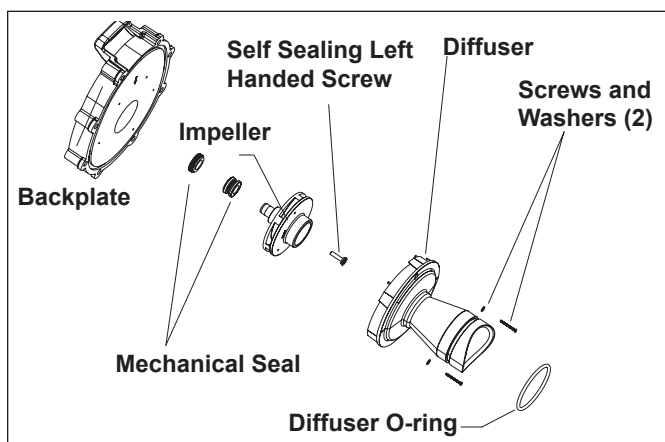


Figure 7. Backplate, Impeller, Diffuser, and Mechanical Seal Exploded View

NOTE Prior to replacing the lid, check for debris around the lid o-ring seat, as this will cause air leaks into the system.

9. **Hand-tighten** the lid to make an air tight seal. **Do not use any tools to tighten the lid.**
10. Open the pressure release valve on the filter, and make sure it is clean and ready for operation.
11. Switch on the circuit breaker to the pump motor.
12. Turn on the pump and check the system for normal operation.
13. Once all the air has left the filter, close the filter pressure release valve.

6.2.4 Mechanical Seal Replacement

NOTE This is a two part replacement process. **The mechanical seal must be replaced as a set.**

NOTE Refer to Figure 6 for an illustration of the location of the mechanical seal and impeller.

⚠ WARNING

Do not damage the ceramic or carbon surfaces of the seals. If surfaces are damaged, leaks will occur.

1. To access the mechanical seal, follow steps 1 through 8 of *Section 6.2.2, Impeller Removal*.
2. Remove the carbon face seal half from the impeller (see Figure 8). This is a spring loaded seal. Grasp the portion of the seal closest to the impeller body and pull the seal off using a twisting motion.

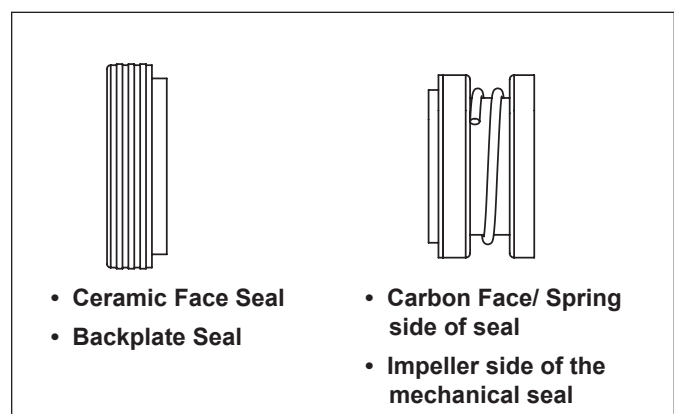


Figure 8. Replace the Mechanical Seal

- Press the new carbon face seal half on the impeller sleeve using a twisting motion. ***It is very important to grasp the lower portion (opposite the carbon face) when installing the seal or damage to the spring will result.*** To assist assembly, ***only*** water may be used as a lubricant. Any other lubricant will destroy the seal after a short period of time.

NOTE Great care must to exercised to keep the seal and mating parts clean.

- Remove the motor from the backplate following the steps in *Section 6.2.5*.
- Place the backplate o-ring side down and force the ceramic seal out using a screwdriver or drift.
- Turn backplate o-ring side up and insert the new ceramic seal side into the backplate. Use great care to press the seal in square with your fingers. The ceramic is easily damaged and must be pressed in using only your fingers or soft tools. Do not use any lubricant other than water.
- Install motor following the steps in *Section 6.2.5*.
- Install the backplate following the steps in *Section 6.2.3*.

6.2.5 Motor Replacement

CAUTION

To ensure continued safety and reliable operation, Jandy® requires that you replace the motor with the identical HP rating and service factor (Jandy® approved only).

- Have a qualified service technician or electrician properly disconnect the electrical wiring at the pump motor.
- To disassemble the pump housing from the motor, follow steps 1 through 8 of *Section 6.2.2, Impeller Removal*.
- Place the backplate motor assembly o-ring side down and unscrew the four (4) 9/16" screws and remove the motor.

NOTE Before removing the backplate, note the alignment of the backplate to the motor (see Figure 9).

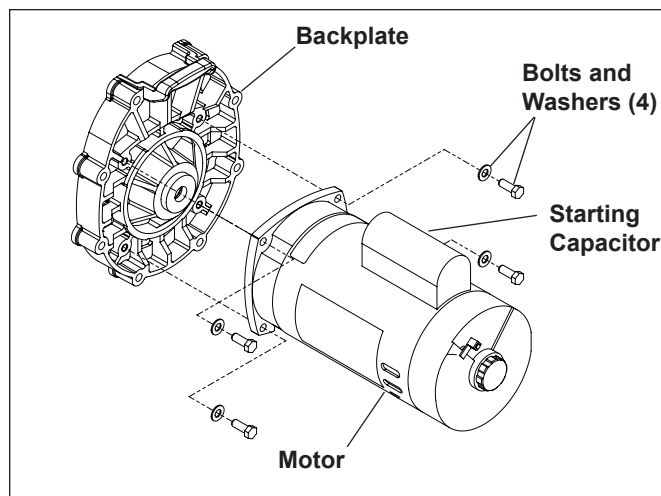


Figure 9. Backplate Assembly

- If installing a new motor, remove the protective plastic cap from the motor shaft. Place the motor on the backplate so that the opening in the motor faces the bottom of the backplate. The starting capacitor on the motor should be at the 12 o'clock position.
- Replace the four (4) bolts and washers holding the backplate to the motor.
- To reassemble the pump after replacing the motor, follow steps 1 through 13 of *Section 6.2.3, Impeller Replacement*.
- Have a qualified service technician or electrician properly connect the electrical wiring at the pump motor.

NOTE It is recommended that the mechanical seals be replaced at the same time the motor is replaced. See *section 6.2.4 for details*

Section 7. Product Specifications and Technical Data

7.1 Replacement Parts List

To order or purchase parts for Jandy® pumps, contact your nearest Jandy® dealer. If they cannot supply you with what you need, contact Jandy® customer service at 707.776.8200 or send an e-mail message to info@jandy.com.

Key No.	Part No.	Description	Size (HP)	Qty.
1	R0445108	Motor, single-speed MHPM	0.75	1
1	R0445109	Motor, single-speed MHPM	1.0	1
1	R0445110	Motor, single-speed MHPM	1.5	1
1	R0445111	Motor, single-speed MHPM	2.0	1
1	R0445112	Motor, single-speed MHPM	2.5	1
1	R0445108-12	Bolts	All	4
		Washers		4
2	R0445200	Backplate, MHPM	All	1
		Mechanical Seal, Carbon		1
		Mechanical Seal, Ceramic		1
		O-ring		1
		Bolts		8
		Washers		8
3	R0449501	Impeller, MHPM	0.75	1
3	R0449502	Impeller, MHPM	1.0	1
3	R0449503	Impeller, MHPM	1.5	1
3	R0449504	Impeller, MHPM	2.0	1
3	R0449505	Impeller, MHPM	2.5	1
3	R0449501-05	Screw w/O-ring, Self-sealing	All	1
4	R0445400	Diffuser	All	1
		Screw		2
		Washer		2
		O-ring		1
5	R0445500	Mechanical Seal, Carbon	All	1
		Mechanical Seal, Ceramic		1
6	R0448701	Body, Pump, MHPM	All	1
7	R0445700	Motor Mounting Foot Assembly, MHPM	All	1
		Screws		2
8	R0448800	Locking Ring	All	1
		Lid		1
		O-ring		1
9	R0448900	Filter Basket	All	1
10	R0446000	Plug, Drain	All	2
		O-ring		2
11	R0449000	Tail Piece (2" by 2½")	All	2
		Coupling Nut		2
		O-ring		2
12	R0449100	O-ring, Lid	All	1
13	R0446300	O-ring, Backplate	All	1
14	R0449200	O-ring, Tail Piece	All	2
15	R0446500	Diffuser/Impeller Hardware	All	
		Screw w/O-ring, Self-sealing, Impeller Mounting		1
		Screw, Diffuser Mounting		2
		Washer, Diffuser Mounting		2
		O-ring, Diffuser		1
16	R0446600	Backplate Hardware	All	
		Bolts		8
		Washers		8
17	R0446700	Motor Hardware	All	
		Bolts		4
		Washers		4
18	R0446800	Screws, Motor Mounting Foot		2

7.2 Exploded View

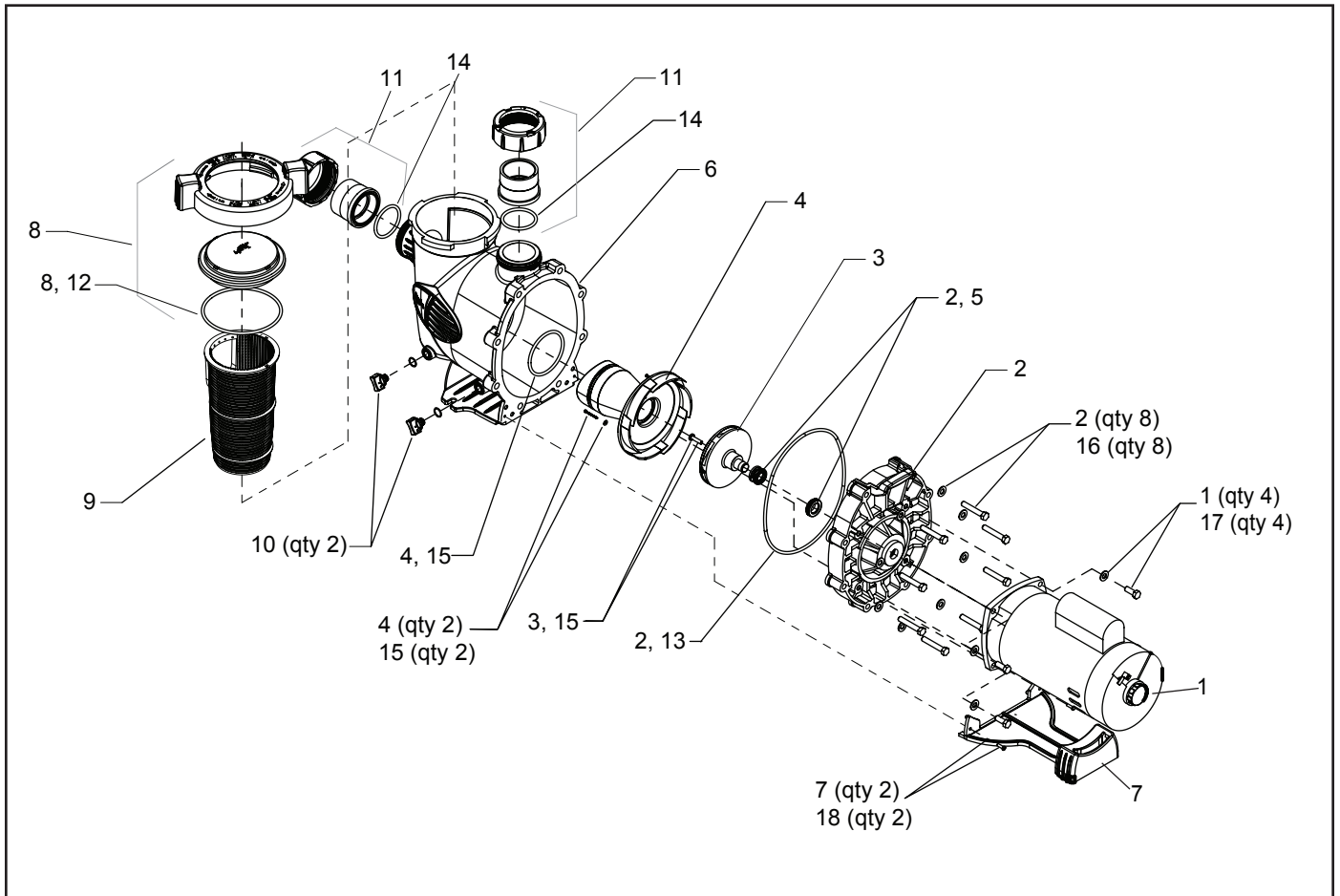
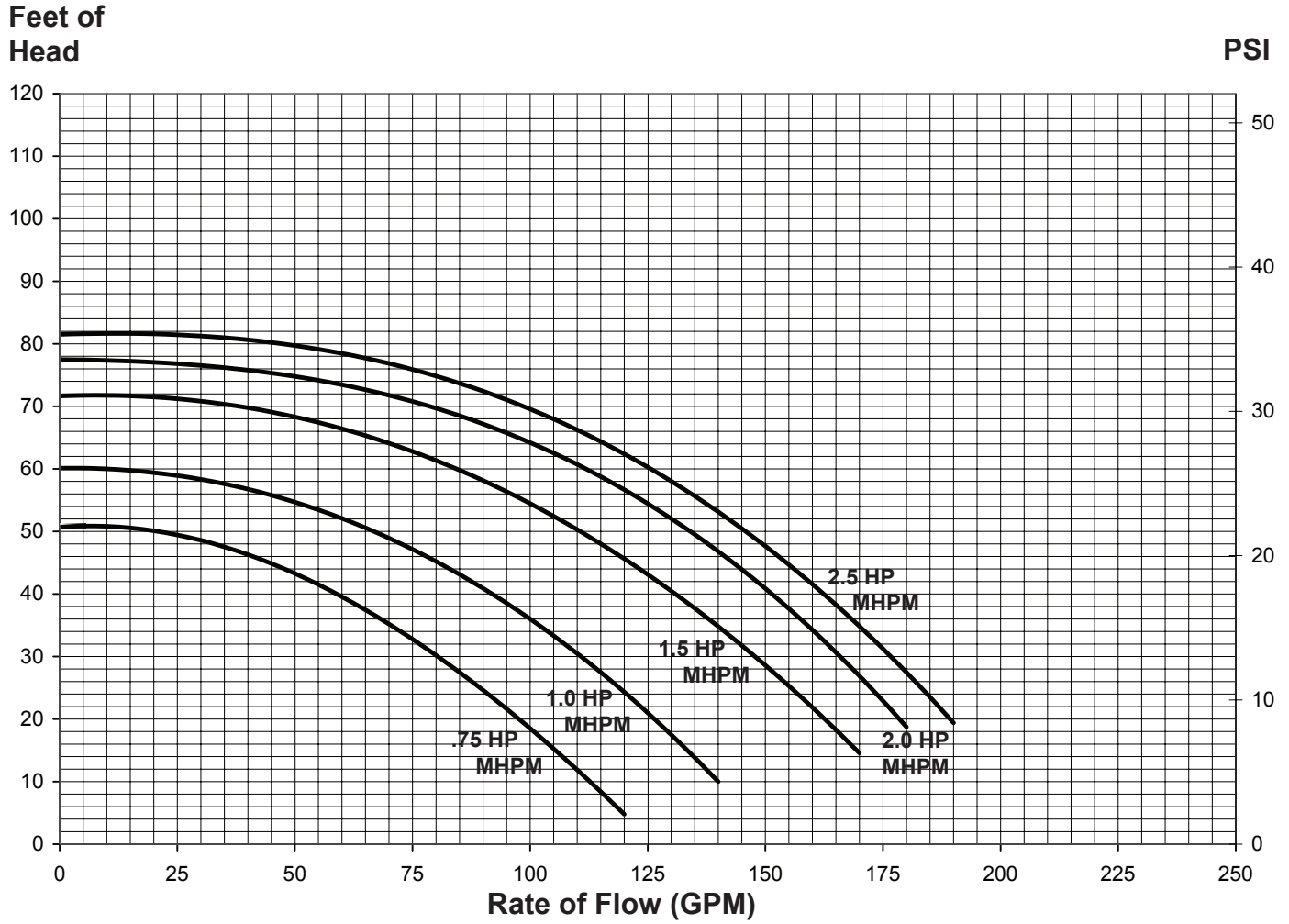


Figure 10. MHPM Exploded View

7.3 MHPM Pump Curves

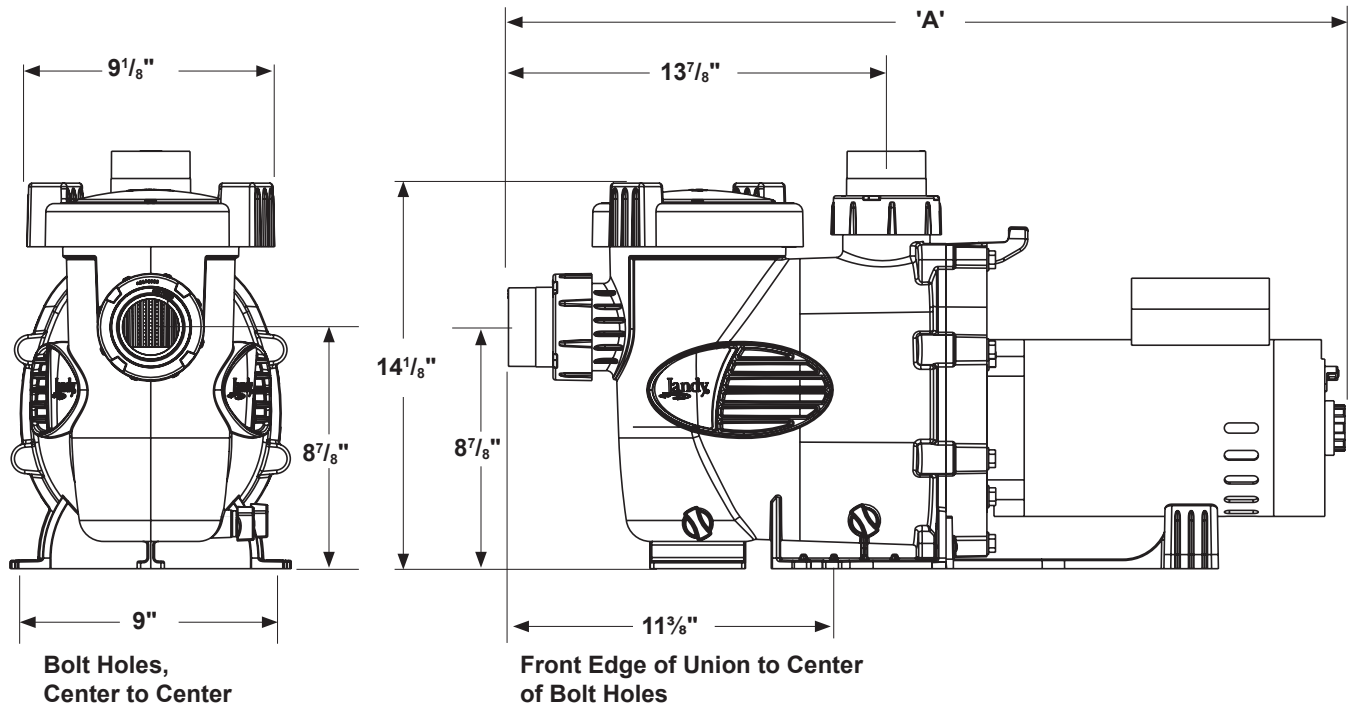
Jandy® MaxHP® Series High Head Pumps Max-Rated (MHPM)



7.4 Physical and Operational Specifications

7.4.1 MHPM Pump Specifications

Model No.	HP	Voltage	Amps	Pipe Size	Carton Weight	Overall Length 'A'
MHPM.75	0.75	230/115	5.4/10.8	1½-2"	40.6	29¼"
MHPM1.0	1.00	230/115	7.1/14.2	2-2½"	41.2	28⅞"
MHPM1.5	1.50	230/115	8.0/16	2-2½"	42.6	29¼"
MHPM2.0	2.00	230/115	11.2/22.4	2-2½"	54.6	31⅞"
MHPM2.5	2.50	230	11.5	2½-3"	48.6	30"



NOTE When installing pump, leave a minimum of two feet (2 ft) of clearance above the pump for removal of strainer basket.

7.5 Replacement Motor Guide

MHP Replacement Motor Guide

Pump Model	A.O Smith /Century	Emerson Motor Technologies
MHPM 0.75	B852	EB852
MHPM 1.0	B853	EB853
MHPM 1.5	B854	EB854
MHPM 2.0	B859	EB859
MHPM 2.5	B840	EB840

NOTES

LIMITED WARRANTY

Thank you for purchasing Jandy® pool and spa products. Jandy Pool Products, Inc. warrants all parts to be free from manufacturing defects in materials and workmanship for a period of one year from the date of retail purchase, with the following exceptions:

- AquaLink® RS units installed with Jandy® Surge Protection Kits will be covered for two years.
- NeverLube® valves are warranted for the life of pool and/or spa on which they were originally installed.
- AquaPure™ Electronic Chlorine Generator Electrolytic Cells carry a 5 year limited warranty on a prorated basis.

This warranty is limited to the first retail purchaser, is not transferable, and does not apply to products that have been moved from their original installation sites. The liability of Jandy Pool Products, Inc. shall not exceed the repair or replacement of defective parts and does not include any costs for labor to remove and reinstall the defective part, transportation to or from the factory, and any other materials required to make the repair. This warranty does not cover failures or malfunctions resulting from the following:

1. Failure to properly install, operate or maintain the product(s) in accordance with our published Installation, Operation and Maintenance Manuals provided with the product(s).
2. The workmanship of any installer of the product(s).
3. Not maintaining a proper chemical balance in your pool and/or spa [pH level between 7.2 and 7.8, Total Alkalinity (TA) between 80 to 120 ppm, Total Dissolved Solids (TDS) less than 2000 not including salt ppm].
4. Abuse, alteration, accident, fire, flood, lightning, rodents, insects, negligence or acts of God.
5. Scaling, freezing, or other conditions causing inadequate water circulation.
6. Operating the product(s) at water flow rates outside the published minimum and maximum specifications.
7. Use of non-factory authorized parts or accessories in conjunction with the product(s).
8. Chemical contamination of combustion air or improper use of sanitizing chemicals, such as introducing sanitizing chemicals upstream of the heater and cleaner hose or through the skimmer.
9. Overheating; incorrect wire runs; improper electrical supply; collateral damage caused by failure of O-Rings, DE grids, or cartridge elements; or damage caused by running the pump with insufficient quantities of water.

LIMITATION OF LIABILITY:

This is the only warranty given by Jandy Pool Products, Inc. No one is authorized to make any other warranties on behalf of Jandy Pool Products, Inc. **THIS WARRANTY IS IN LIEU OF ALL OTHER WARRANTIES, EXPRESSED OR IMPLIED, INCLUDING BUT NOT LIMITED TO ANY IMPLIED WARRANTIES OF FITNESS FOR A PARTICULAR PURPOSE AND MERCHANTABILITY. JANDY POOL PRODUCTS, INC. EXPRESSLY DISCLAIMS AND EXCLUDES ANY LIABILITY FOR CONSEQUENTIAL, INCIDENTAL, INDIRECT OR PUNITIVE DAMAGES FOR BREACH OF ANY EXPRESSED OR IMPLIED WARRANTY.** This warranty gives you specific legal rights. You may also have other rights which vary by state or province.

WARRANTY CLAIMS:

For prompt warranty consideration, contact your dealer and provide the following information: proof of purchase, model number, serial number and date of installation. The installer will contact the factory for instructions regarding the claim and to determine the location of the nearest designated service center. If the dealer is not available, you can locate a service center in your area by visiting www.jandy.com or by calling our technical support department at (707) 776-8200 extension 260. All returned parts must have a Returned Material Authorization number to be evaluated under the terms of this warranty.

H0280500A

Jandy®



CONFORMS TO UL 1081
CERTIFIED TO CSA C22.2 NO 108

Jandy Pool Products, Inc.
6000 Condor Drive • Moorpark, CA USA 93021 • 707.776.8200 • Fax 707.763.7785

Litho in U.S.A. © Jandy Pool Products, Inc. 0608